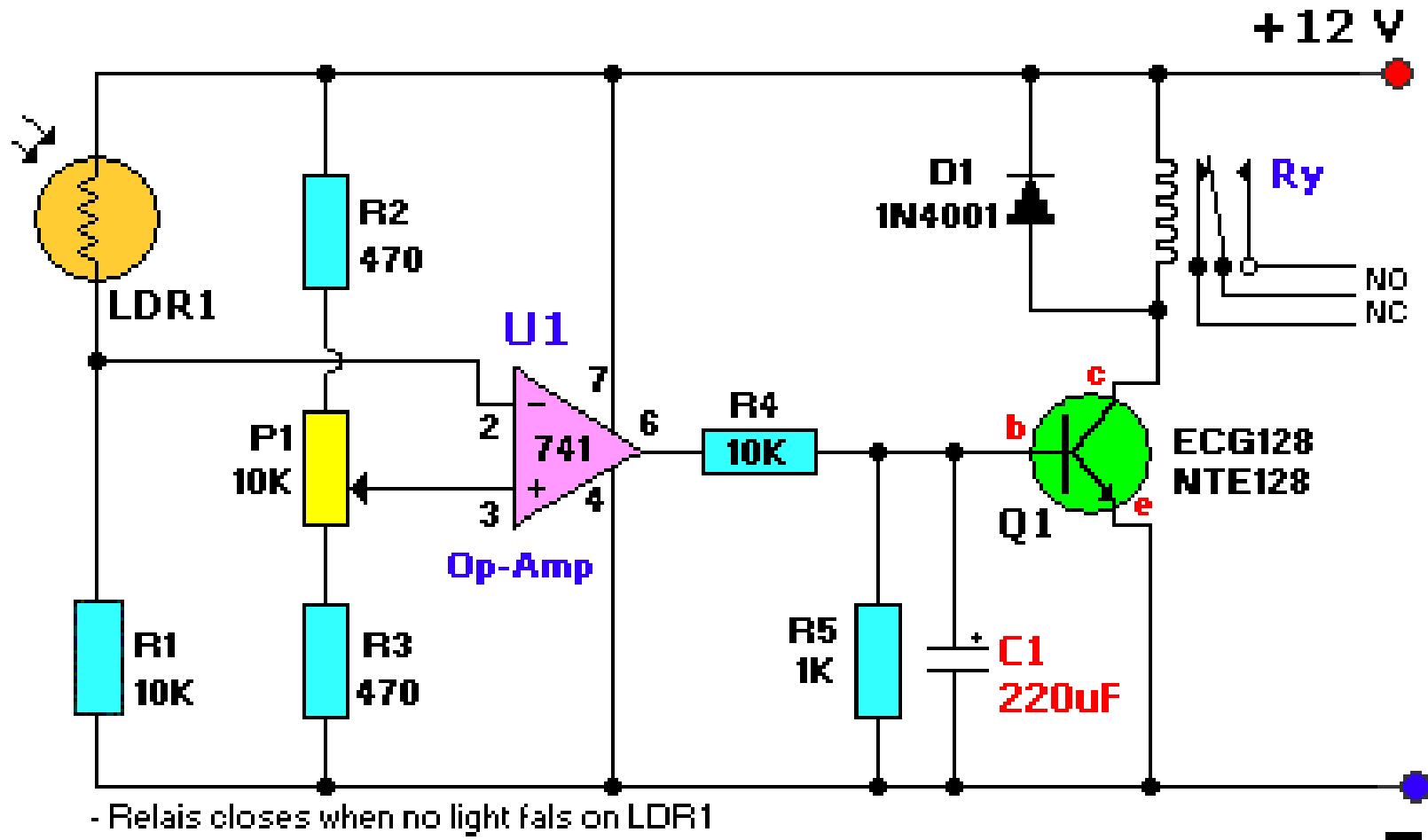


LM741 Light/Dark Sensor Circuit (with Relay)



- Relais closes when no light falls on LDR1
- For reversed action, exchange LDR1 and R1
- Sensitivity can be adjusted with P1
- D1 prevents sparking of relay-coil when it opens