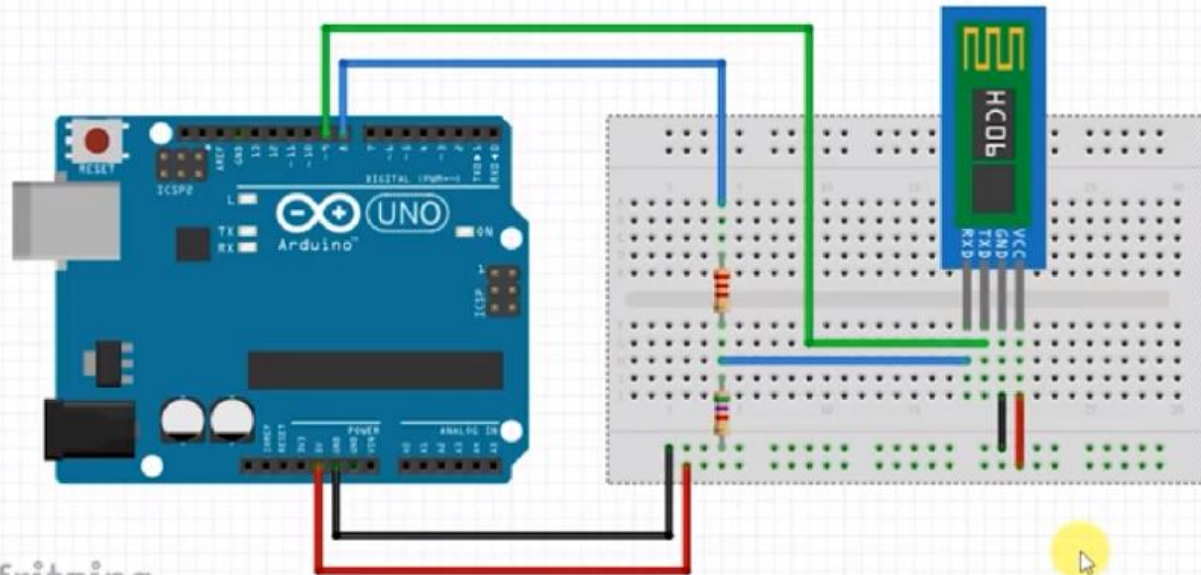


## Arduino/Bluetooth with the HC-05 Breakout Board



NOTES: Blue = Transmit on UNO #8 and connects to RX on HC-05!

Green = READ on UNO #9 and connects to TX on HC-05

The TX $\rightarrow$ RX and RX $\rightarrow$ TX. In Arduino Code make sure Software Serial is setup correctly.

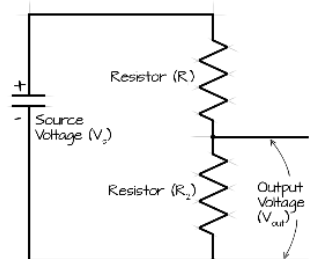
Partial Code:

```
SoftwareSerial BTSerial(rxPin, TxPin); //receive & transmit
pinMode(rxPin, INPUT);
pinMode(txPIN, OUTPUT);
BTSerial.begin(9600);
```

### Powering the HC-05

TX pin on the HC-05 needs 3.3V NOT 5V. The voltage divider provides 3.3v from the UNO 5V supply.

**R1= 1K and R2= 2K for the divider.**



The  
Use