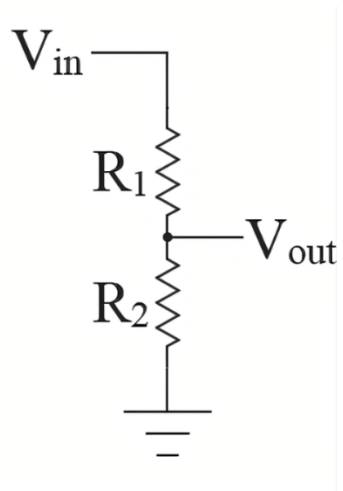


## Introduction to Filters

### Voltage Divider



### Frequency-Dependent Voltage Divider (Low-Pass Filter)

