

# Touch Sensor Bumper

## Attachment Instructions

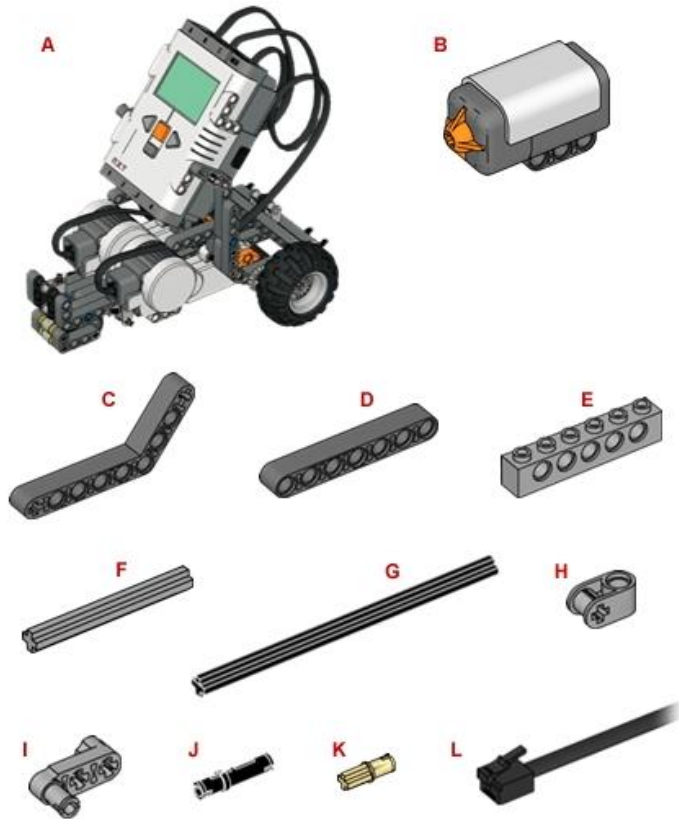


# Materials

## Parts Page 1

- (A) 1x Assembled Taskbot
- (B) 1x Touch Sensor
- (C) 2x 4x6 Angular Beam
- (D) 2x 7-Module Beam
- (E) 1x 1x6 Studded Beam
- (F) 2x 5-Module Axle
- (G) 2x 10-Module Axle
- (H) 4x 2-Module Cross Block
- (I) 2x Handle Connector Peg
- (J) 4x 3-Module Connector Peg with Friction
- (K) 2x Connector Peg with Axle
- (L) 1x Cable

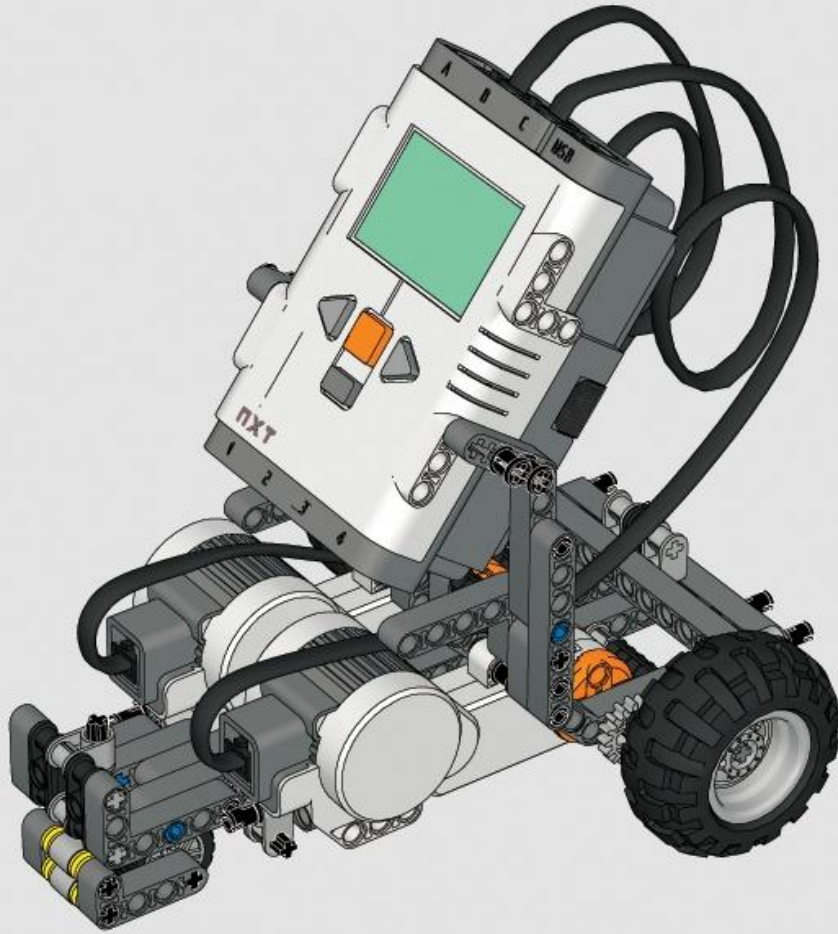
(A) = Part Number  
1x = Amount Needed



Touch Bumper

- 1
- 2
- 3
- 4
- 5
- 6
- 7
- 8

BACK | NEXT

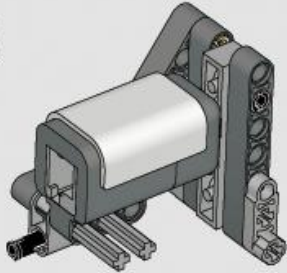




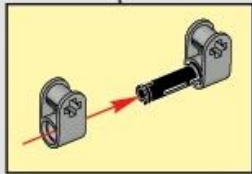
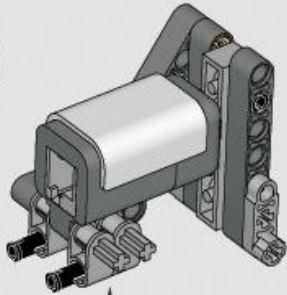
Touch Bumper

- 1 2 3 4 5 6 7 8

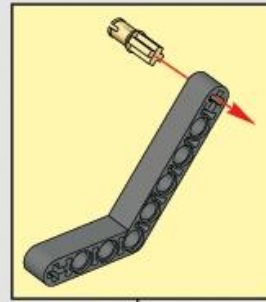
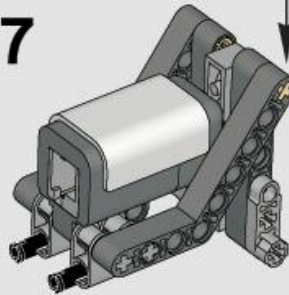
5



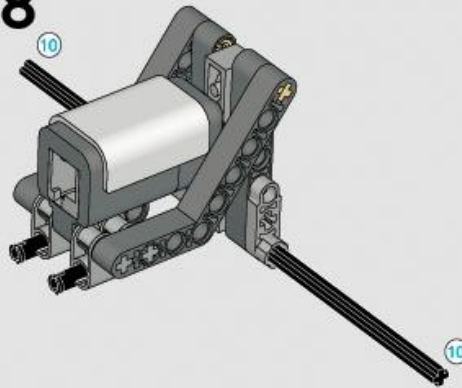
6



7



8

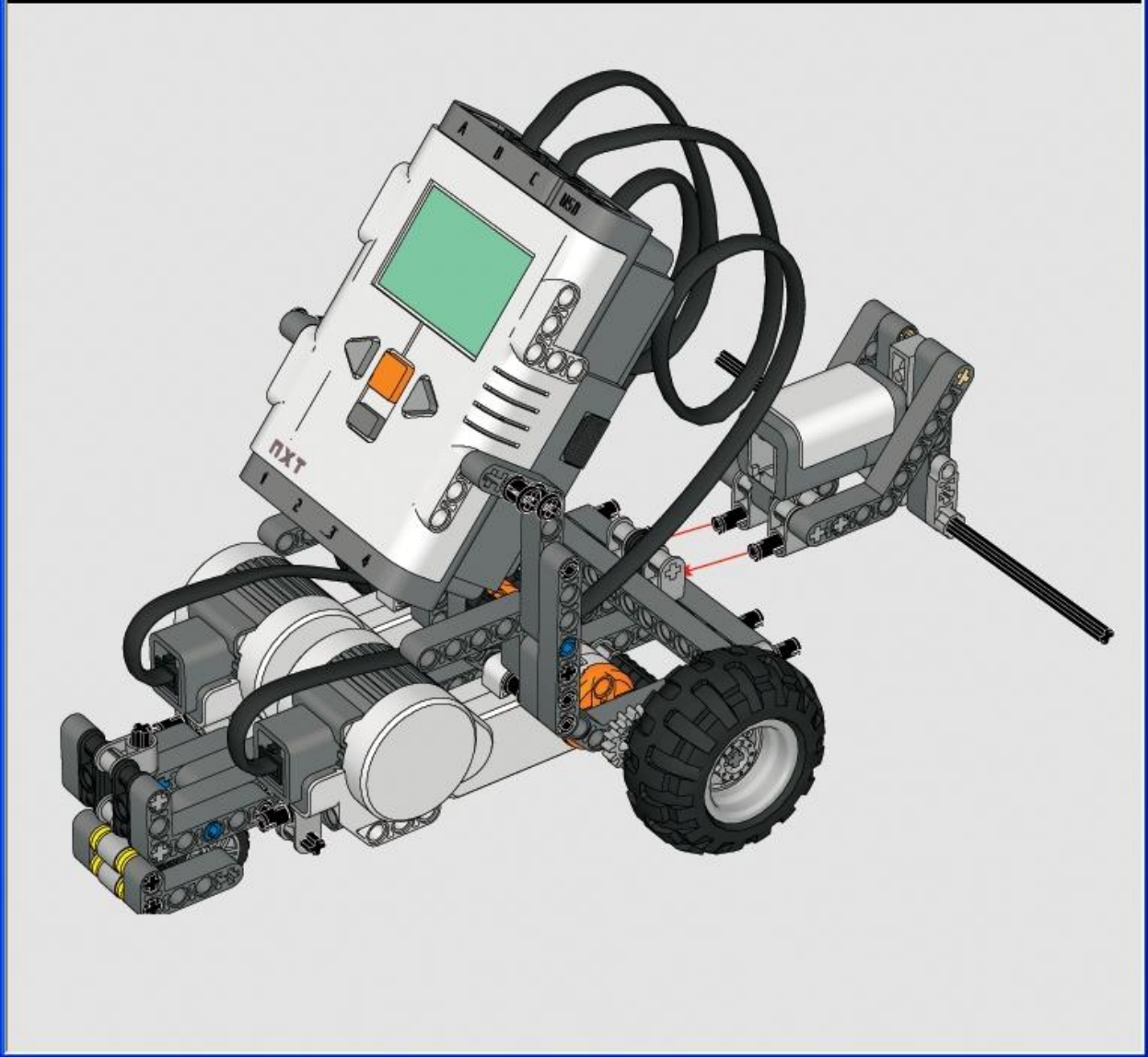




**Touch Bumper**

- 1
- 2
- 3
- 4
- 5
- 6
- 7
- 8

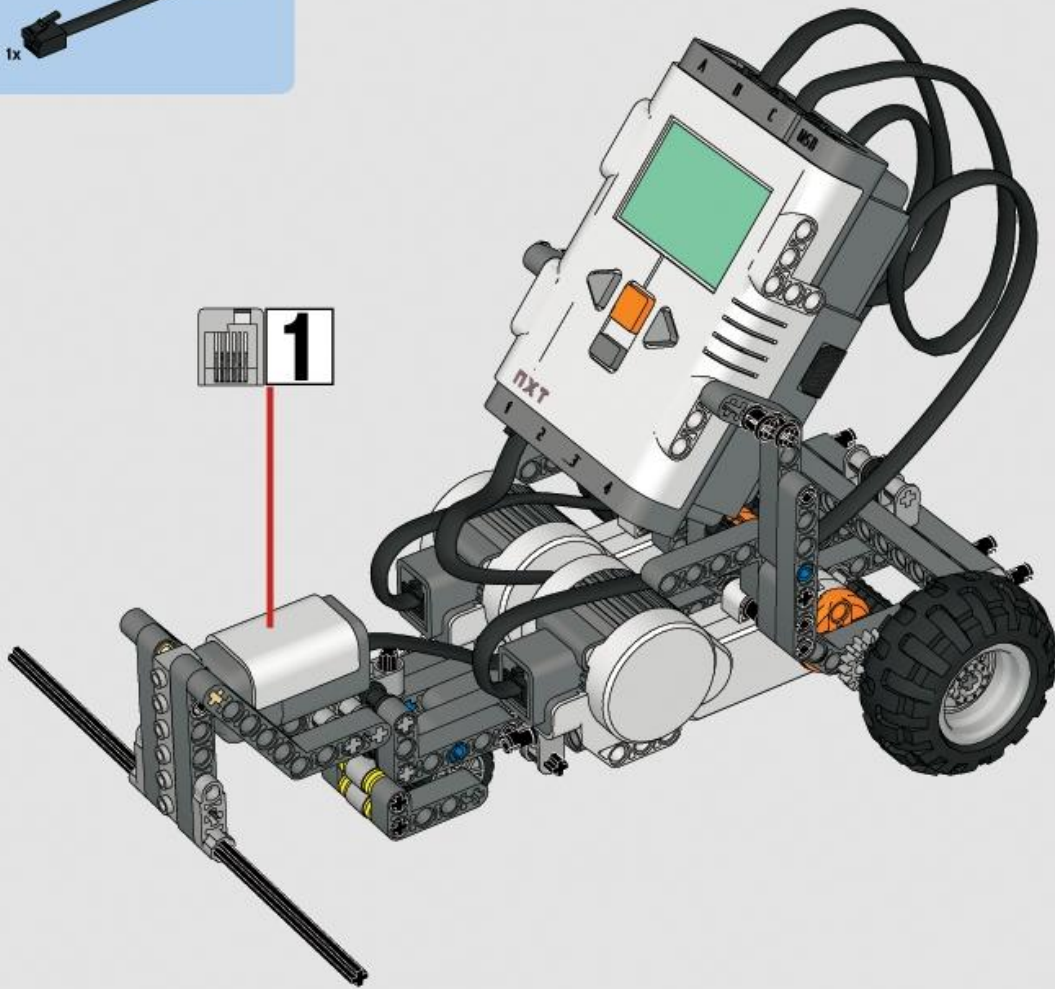
◀ BACK | NEXT ▶



**Touch Bumper**

- 1
- 2
- 3
- 4
- 5
- 6
- 7
- 8

BACK NEXT



Your **Touch Sensor Bumper**  
is now complete!

