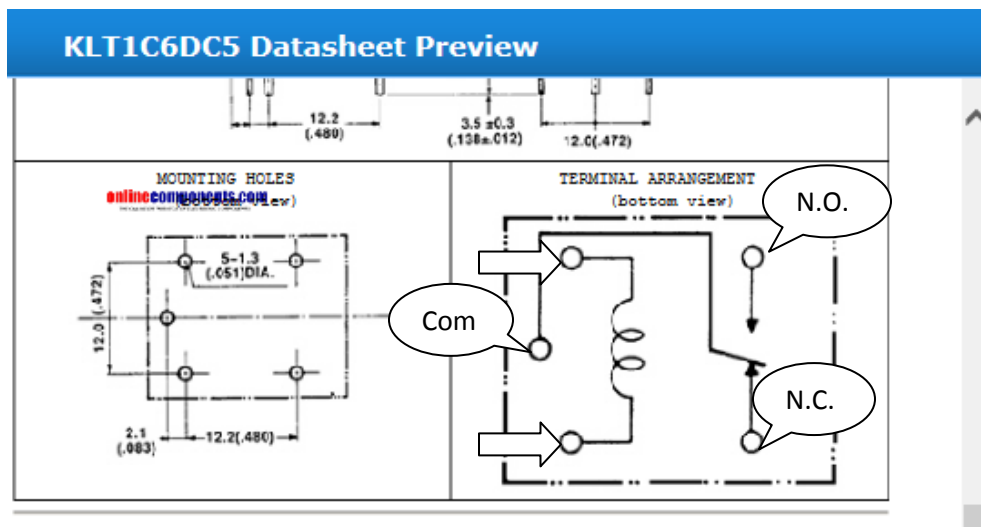


CS257 Working with Relays

HASCO 5VDC SPST Relay



1. Connect 5V to the connectors that energize the coil. (Where the arrows are pointing).
2. To control a lamp/motor, etc. connect one wire to Com (common) and another wire to NO (normally open).