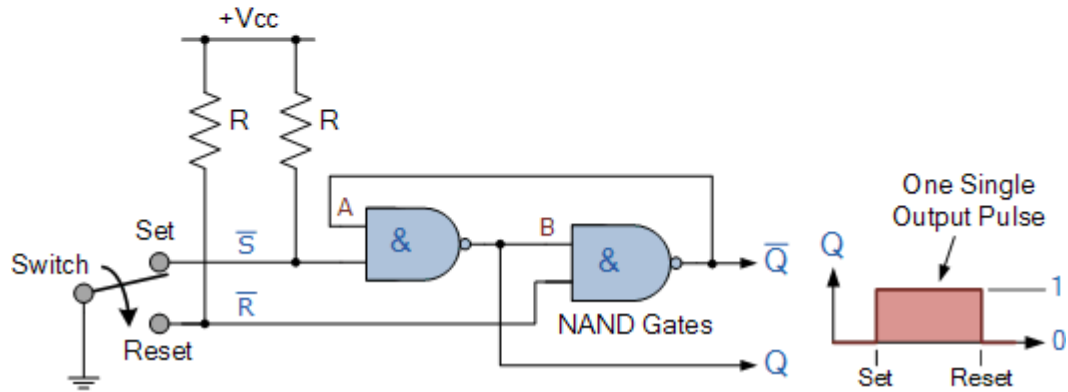
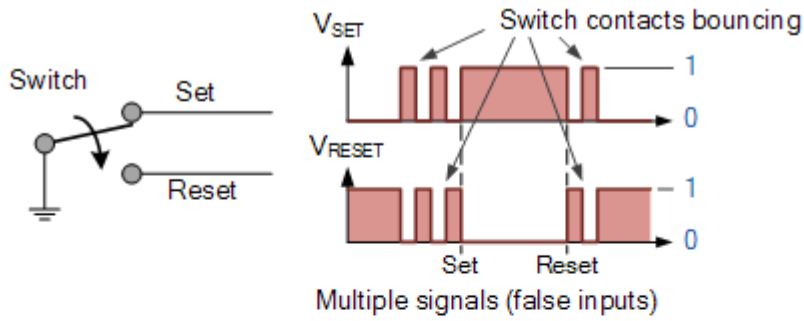


Switch Debouncing Circuits

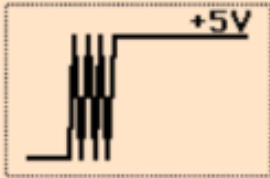
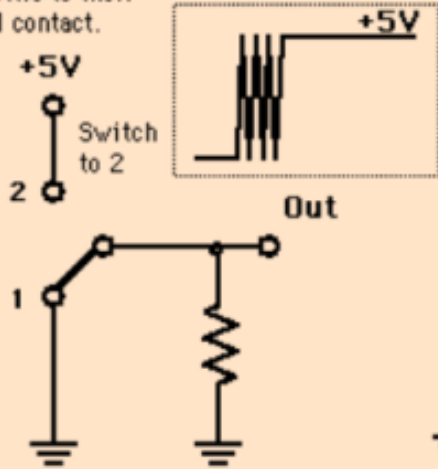


Uses the 7400 IC NAND Gate

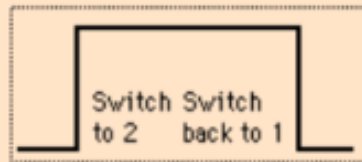
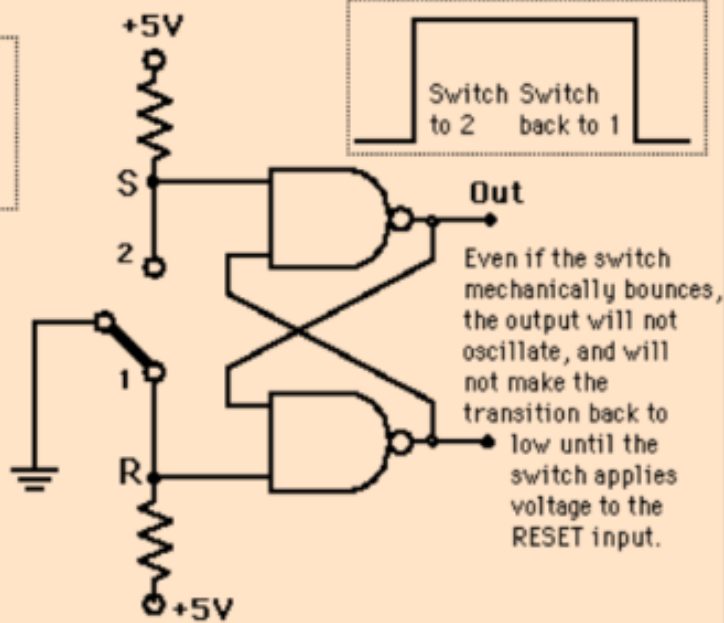
Switch Debouncing Circuits

Switch Debouncing

Mechanical switch contacts bounce, taking on the order to milliseconds to settle to their final contact.

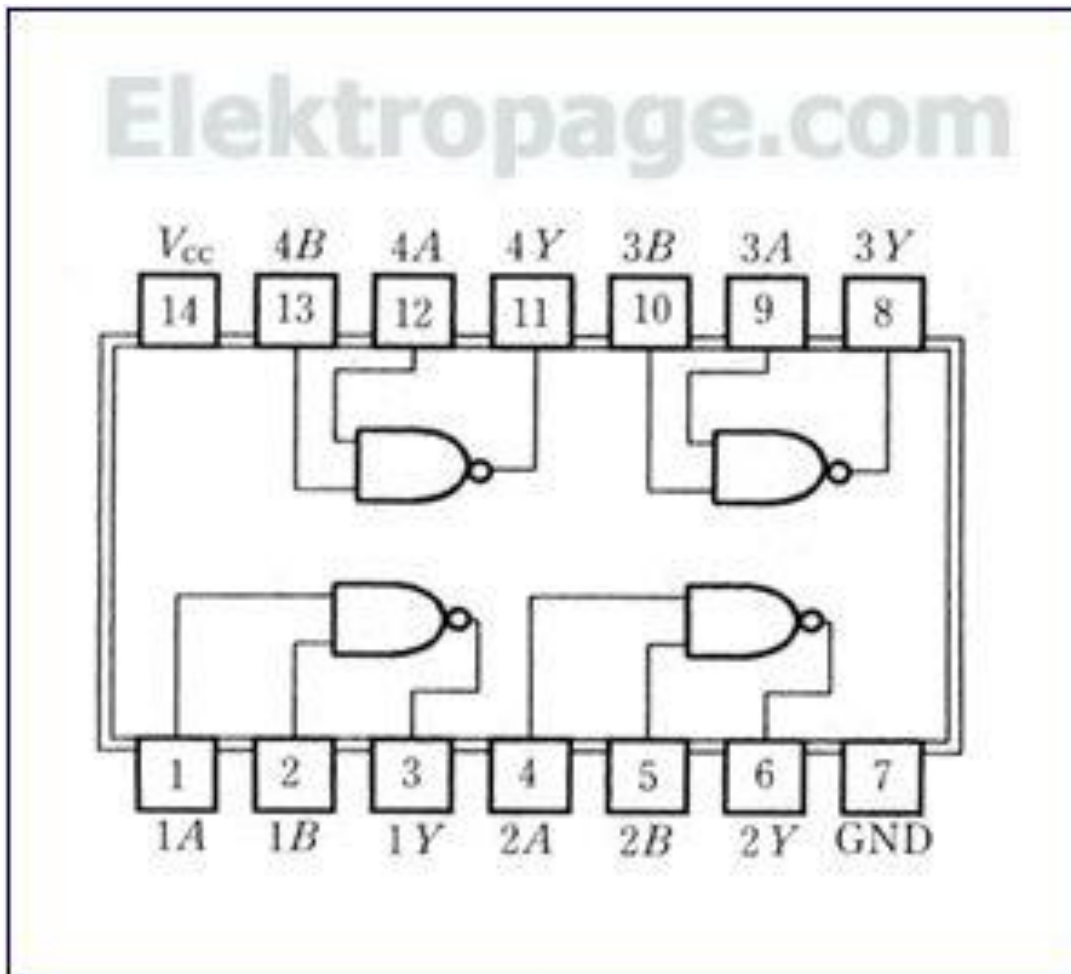


A **NAND gate latch** will take the output to supply voltage in a time on the order of nanoseconds.



Even if the switch mechanically bounces, the output will not oscillate, and will not make the transition back to low until the switch applies voltage to the RESET input.

Switch Debouncing Circuits



Switch Debouncing Circuits

Quad SR Bistable Latch 74LS279

